

HP ProLiant DL380 G5 Storage Server

installation guide

This guide provides installation and configuration information for the HP ProLiant DL380 G5 Storage Server with Microsoft® Windows® Storage Server 2003 R2.



4 3 4 1 8 2 - 0 0 1

Part number: 434182-001
First edition: September 2006



i n v e n t

Legal and notice information

© Copyright 2006 Hewlett-Packard Development Company, L.P.

Hewlett-Packard Company makes no warranty of any kind with regard to this material, including, but not limited to, the implied warranties of merchantability and fitness for a particular purpose. Hewlett-Packard shall not be liable for errors contained herein or for incidental or consequential damages in connection with the furnishing, performance, or use of this material.

This document contains proprietary information, which is protected by copyright. No part of this document may be photocopied, reproduced, or translated into another language without the prior written consent of Hewlett-Packard. The information contained in this document is subject to change without notice. The only warranties for HP products and services are set forth in the express warranty statements accompanying such products and services. Nothing herein should be construed as constituting an additional warranty. HP shall not be liable for technical or editorial errors or omissions contained herein.

Microsoft®, Windows®, and Windows NT® are U.S. registered trademarks of Microsoft Corporation.

UNIX® is a registered trademark of The Open Group.

Hewlett-Packard Company shall not be liable for technical or editorial errors of omissions contained herein. The information is provided "as is" without warranty of any kind and is subject to change without notice. The warranties for Hewlett-Packard Company products are set forth in the express limited warranty statements for such products. Nothing herein should be construed as constituting an additional warranty.

Contents

About this guide	7
Intended audience	7
Getting help	7
Related documentation	7
Conventions	8
Document conventions and symbols	9
Text symbols	9
HP technical support	10
HP subscriber's choice	10
HP-authorized reseller	11
Other helpful web sites	11
HP hardware support services	11
1 Setup overview	13
Planning for installation	13
Planning a network configuration	16
Configuration checklist	16
2 Installing the server	19
Checking kit contents	20
Becoming familiar with front/back panels	20
Locating and writing down the serial number	23
Completing rail kit installation	23
Cabling the server	24
Powering on the server	25
3 Accessing the HP Storage Server Management console	27
Using the Direct attach method	27
Using the Remote browser method	28
Using the Remote desktop method	30
Using the Integrated Lights-Out 2 method	31

4 Configuring the server on the network 35
 Before you begin 35
 Running the Rapid Startup Wizard 38

5 Complete system configuration 39
 Additional configuration tasks 39

A Configuring storage server for Web access
(optional) 41
 Setting up an Internet connection 41

Index 43

Figures

1	Deciding upon a network access method	14
2	Kit contents	20
3	Front panel	21
4	Back panel	22
5	Cable connections	24
6	Power on button	25
7	Internet options screen	29
8	iLO 2 connector port	32
9	Rapid Startup Wizard	38
10	Automatic configuration settings	41
11	Proxy server settings	42

Tables

1 Document conventions	9
2 Network access methods	15
3 Installation and Configuration checklist	17
4 Server configuration worksheet	35

About this guide

This guide provides information for setting up and configuring the following HP ProLiant Storage Server models:

- HP ProLiant DL380 G5 Base Storage Server
- HP ProLiant DL380 G5 1.2 TB Storage Server
- HP ProLiant DL380 G5 2 TB Storage Server
- HP ProLiant DL380 G5 SAN Attach Storage Server

This guide is available on the HP web site and is also provided as a PDF document on the HP ProLiant Storage Server documentation CD.

Intended audience

This book is intended for use by technical professionals who are experienced with the following:

- Microsoft® administrative procedures
- System and storage configurations

Getting help

If you still have a question after reading this guide, contact an HP authorized service provider or access our web site: <http://www.hp.com>.



NOTE:

Known issues and work arounds for the storage server products and the service release are addressed in release notes. To view the latest version, visit <http://www.hp.com/go/support>. Select **See support and troubleshooting** information and enter a product name/number. Under self-help resources, select **manuals (guides, supplements, addendums, etc.)**.

Related documentation

In addition to this guide, refer to the following documents for more information:

- *HP ProLiant DL380 G5 Storage Server administration guide*
- *HP ProLiant 2U Rail installation instructions*
- *HP Integrated Lights-Out 2 User Guide*

These documents are available on the Documentation CD or they can be obtained at <http://www.hp.com/go/storageservers>. Select your product, then click **Technical documentation** under the Support section.

Conventions

This document contains the following conventions and symbols:

- [Document conventions](#)
- [Text symbols](#)

Document conventions and symbols

Table 1 Document conventions

Convention	Element
Blue text	Cross-reference links and e-mail addresses
Medium blue, underlined text (http://www.hp.com)	Web site addresses
Bold font	<ul style="list-style-type: none">• Key names• Text typed into a GUI element, such as into a box• GUI elements that are clicked or selected, such as menu and list items, buttons, and check boxes
<i>Italic font</i>	Text emphasis
Monospace font	<ul style="list-style-type: none">• File and directory names• System output• Code• Text typed at the command line
<i>Monospace, italic font</i>	<ul style="list-style-type: none">• Code variables• Command-line variables
Monospace, bold font	Emphasis of file and directory names, system output, code, and text typed at the command line

Text symbols

⚠ WARNING!

Indicates that failure to follow directions could result in bodily harm or death.

 **CAUTION:**

Indicates that failure to follow directions could result in damage to equipment or data.

 **IMPORTANT:**

Provides clarifying information or specific instructions.

 **NOTE:**

Provides additional information.

 **TIP:**

Provides helpful hints and shortcuts.

HP technical support

Telephone numbers for worldwide technical support are listed on the HP support web site: <http://www.hp.com/support/>.

Collect the following information before calling:

- Technical support registration number (if applicable)
- Product serial numbers
- Product model names and numbers
- Applicable error messages
- Operating system type and revision level
- Detailed, specific questions

For continuous quality improvement, calls may be recorded or monitored.

HP subscriber's choice

HP strongly recommends that customers sign up online using the Subscriber's choice web site: <http://www.hp.com/go/e-updates>.

- Subscribing to this service provides you with e-mail updates on the latest product enhancements, newest versions of drivers, and

firmware documentation updates, as well as instant access to numerous other product resources.

- After signing up, you can quickly locate your products by selecting **Business support**, and then **Storage** under Product Category.

HP-authorized reseller

For the name of your nearest HP-authorized reseller:

- In the United States, call 1-800-282-6672.
- Elsewhere, visit the HP web site: <http://www.hp.com>. Then, click **Contact HP** to find locations and telephone numbers.

Other helpful web sites

For other product information, see the following HP web sites:

- <http://www.hp.com/go/storage>
- <http://www.hp.com/support/>
- <http://www.docs.hp.com>
- <http://www.microsoft.com>

HP hardware support services

HP Instant Support Enterprise Edition (ISEE) provides proactive remote monitoring, diagnostics, and troubleshooting to help you enhance the availability of your servers, as well as storage and network devices. The ISEE software is located on the storage server in the `c:\hpnas\components\ISEE` folder. For more information, go to the HP web site: <http://h20219.www2.hp.com/services/cache/10707-0-0-225-121.aspx>.

HP Services provides service tools that notify you when a significant system event has or will occur. These tools, WEBES System Event Analyzer (SEA) and OSEM, are used both as part of the ISEE remote service offering and as standalone tools to HP service customers. They are designed to send a notification only when an event or series of events has occurred that require service action. They are not intended to be real-time system state monitors that trigger with every event. Most system components have the capability of sending hundreds of state events during normal operation. SEA and OSEM are designed to filter these component events and only notify customers and/or HP Services when action needs to be taken to resolve or prevent an outage. As designed they will not report all events. Other utilities are available to monitor real time system state. The software is located on the storage server in the `c:\hpnas\components\ISEE\OSEM` and `c:\hpnas\components\ISEE\WEBES` folders.

1 Setup overview

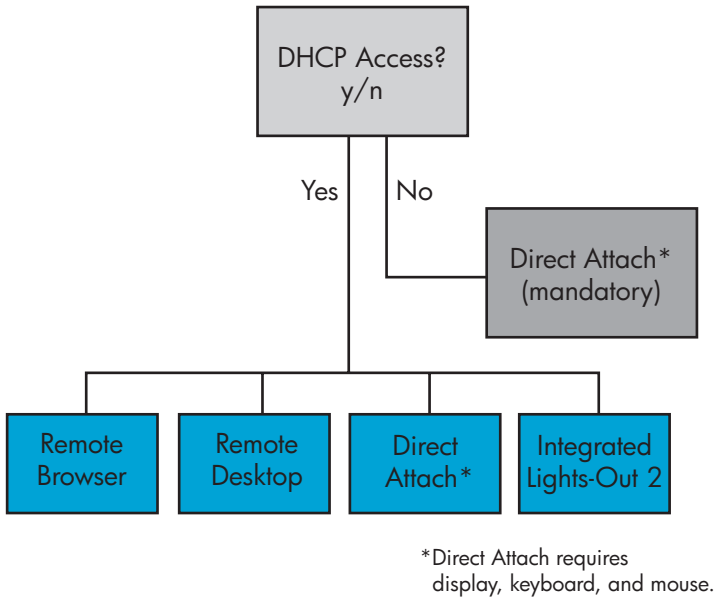
Your HP ProLiant storage server comes pre-installed with the Windows® Storage Server™ 2003 R2 operating system. Windows Storage Server 2003 R2 extends the Windows Storage Server 2003 operating system, providing a more efficient way to manage and control access to local and remote resources. In addition, Windows Storage Server 2003 R2 provides a scalable, security-enhanced Web platform for simplified branch server management, improved identity and access management, and more efficient storage management.

Planning for installation

Before you install your HP ProLiant storage server, you need to make a few up-front decisions.

Determining a network access method

Before beginning setup and startup procedures, you should decide upon an access method to connect to the storage server. The type of network access you select is determined by whether or not the network has a Dynamic Host Configuration Protocol (DHCP) server, as shown in "[Deciding upon a network access method](#)" on page 14. "[Network access methods](#)" on page 15 shows the types of network access methods that are available and provides more information about each one.



5061

Figure 1 Deciding upon a network access method

Table 2 Network access methods

Access method	I.E. 5.5 or later required?	Storage server desktop accessible?	HP ProLiant Rapid Startup Wizard access	Notes
Direct attachment	No	Yes	Directly from the storage server desktop.	Requires a monitor, mouse, and keyboard.
Remote browser	Yes	No	Directly from the HP ProLiant Storage Server Management console.	Does not display the storage server desktop.
Remote desktop	No	Yes	Indirectly from the storage server desktop.	Windows remote desktop capability required on client.
HP Integrated Lights-Out 2 (iLO 2) connectivity	Yes	Yes	Indirectly from the storage server desktop.	See the <i>HP Integrated Lights-Out 2 User Guide</i> for server access instructions.

Planning a network configuration

You use the Rapid Startup Wizard to configure your storage server. This wizard is displayed automatically when you first start your system. Before you run the Rapid Startup Wizard, it is helpful to gather together the network configuration information you need, including:

- User name and administrator password (the system provides you with defaults you need to change)
- E-mail addresses to set up system alerts
- SNMP settings
- Local area network (LAN) configuration settings

To help you gather this information, see "[Configuring the server on the network](#)" on page 35.

Configuration checklist

Use the following checklist to make sure you have completed all configuration tasks for your HP ProLiant storage server. The steps for each task are explained in more detail in subsequent chapters of this guide.

Table 3 Installation and Configuration checklist

Steps	Reference
<input type="checkbox"/> 1. Unpack server, check kit contents, and become familiar with front and back panels of storage server. Locate and write down serial number of storage server.	See " Checking kit contents " on page 20.
<input type="checkbox"/> 2. Complete rail installation instructions.	See the HP ProLiant rail installation instructions, if applicable.
<input type="checkbox"/> 3. Connect cables; (optional) connect a keyboard, mouse, and monitor; power on server, and log in to the server.	See " Cabling the server " on page 24, Powering on the server , and Direct attach method .
<input type="checkbox"/> 4. Access the HP Storage Server Management console. <ul style="list-style-type: none">• Direct attach method• Remote browse method• Remote desktop method• iLO 2 method	See " Accessing the HP Storage Server Management console " on page 27.
<input type="checkbox"/> 5. Complete the storage server configuration worksheet.	See " Server configuration worksheet " on page 35.
<input type="checkbox"/> 6. Run Rapid Startup Wizard.	See " Rapid Startup Wizard " on page 38.
<input type="checkbox"/> 7. Complete system configuration.	See " Complete system configuration " on page 39.
<input type="checkbox"/> 8. Configure storage server for Web access, if necessary.	See " Configuring storage server for Web access (optional) " on page 41.

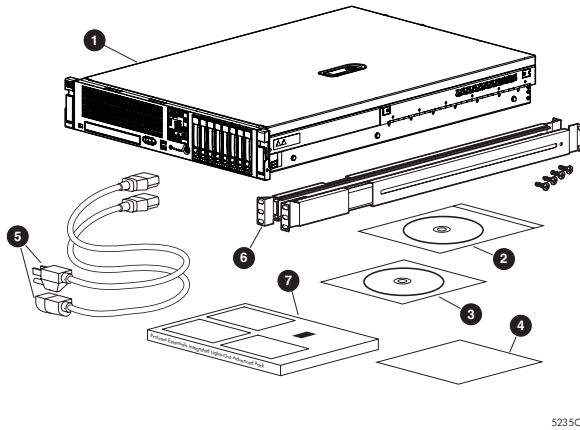
2 Installing the server

To install your HP ProLiant storage server, follow the instructions in the sections below:

- [Checking kit contents](#)
- [Becoming familiar with front/back panels](#)
- [Completing rail kit installation](#)
- [Cabling the server](#)
- [Powering on the server](#)

Checking kit contents

Remove the contents, making sure you have all the components shown in the figure below. If components are missing, contact [HP technical support](#).



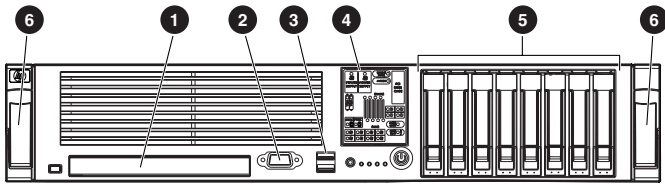
5235C

Figure 2 Kit contents

- | | | | |
|---|---|---|---|
| 1 | HP ProLiant DL380 G5 Storage Server (with operating system preloaded) | 5 | Power cords (select the correct one needed for your connection needs) |
| 2 | HP ProLiant Storage Server System Installation and Recovery DVD | 6 | Slide rail Assembly |
| 3 | Product Documentation and Safety and Disposal Documentation CD | 7 | ProLiant Essentials Integrated Lights-Out 2 Advanced Pack |
| 4 | End User License Agreement | | |

Becoming familiar with front/back panels

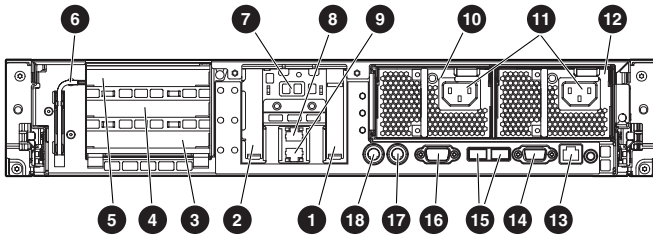
Become familiar with the function of the front/back panels on the server as shown in the figures below.



gl0069

Figure 3 Front panel

- | | | | |
|---|--------------------|---|--------------------------|
| 1 | DVD-RW drive | 4 | Systems Insight Display |
| 2 | Video connector | 5 | Hard drive bays |
| 3 | USB Connectors (2) | 6 | Quick release levers (2) |



gl0072

Figure 4 Back panel

Item	Description	Color
1	Expansion slot 1 (Occupied by the Smart Array P400 Controller)	—
2	Expansion slot 2	—
3	Expansion slot 3	—
4	Expansion slot 4	—
5	Expansion slot 5	—
6	T-10/T-15 Torx screwdriver	—
7	External option blank	—
8	NIC 2 connector	—
9	NIC 1 connector	—
10	Power supply bay 2 (populated)	—
11	Power cord connector	Black
12	Power supply bay 1 (populated)	—
13	iLO 2 connector	—
14	Video connector	Blue
15	USB connectors (2)	Black
16	Serial connector	—
17	Mouse connector	Green
18	Keyboard connector	Purple

Locating and writing down the serial number

Before completing the installation portion of this guide, locate and write down the storage server's serial number, which may be needed to access the HP Storage Server Management console later on during the set up process.

The HP ProLiant storage server's serial number is located in three places:

- Top of the storage server
- Back of the storage server
- Inside the storage server shipping box

Completing rail kit installation

Install the server into the rack by following the rail installation instructions for your server model. These installation instructions are provided in printed form with your server, on the HP ProLiant Storage Server Documentation CD, or at <http://www.hp.com/support>.

For all models of the HP ProLiant DL380 G5 Storage Server, see *HP ProLiant 2U Rail installation instructions*.

Cabling the server

Connect the cables in the sequence shown in the figure below.

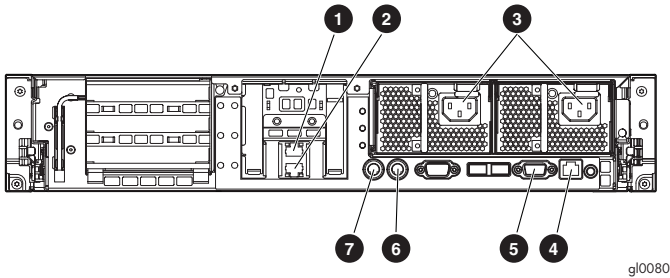


Figure 5 Cable connections

- | | | | |
|---|----------------------|---|--------------------|
| 1 | NIC 2 connector | 5 | Video connector |
| 2 | NIC 1 connector | 6 | Mouse connector |
| 3 | Power cord connector | 7 | Keyboard connector |
| 4 | iLO 2 connector | | |



NOTE:

Connecting the power cord illuminates the LEDs on the front of the bezel, the Systems Insight Display LED, and the LEDs on the NIC connector (rear panel). The iLO 2 NIC LED (rear panel) illuminates if the iLO 2 port is connected. Connecting the power cord also restores the storage server to whatever previous powered state it was last in. This could result in the server powering up, the fans operating, and the power indicator coming on.



NOTE:

The keyboard, mouse, and monitor are used only for the "[Direct attach method](#)" on page 27. They are not provided with your storage server.

Powering on the server

Power on the server after connecting the cables.

1. Power on server by pushing the power button (1). The power LED located on the power button illuminates green.

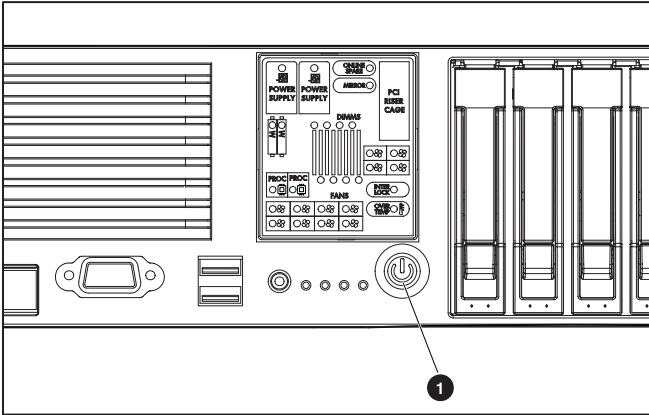


Figure 6 Power on button

2. When the server powers on, an installation progress screen is displayed. The installation process takes approximately 10 to 15 minutes to complete and the server will reboot twice. No user interaction is required.

△ CAUTION:

Do not interrupt the installation process; when the installation sequence is complete, the system prompt appears.

3. By now you should have determined the access method for your storage server. For more information, see "[Deciding upon a network access method](#)" on page 14.
4. Go to "[Accessing the HP Storage Server Management console](#)" on page 27 to set up server access.

3 Accessing the HP Storage Server Management console

Before accessing the HP Storage Server Management console, verify that the storage server is completely installed in the rack, and that all cables and cords are connected. See the *HP ProLiant 2U Rail installation instructions* for additional installation guidance.

To access the HP Storage Server Management console, you can use these access methods:

Direct attach	To connect directly to the storage server without using the network.
Remote browser	To establish a browser-based connection to the HP ProLiant Storage Server Management console from a remote client running Internet Explorer 5.5 (or later).
Remote desktop	To establish a connection from a remote client without using a browser. This method requires the client to have Windows remote desktop capability.
HP Integrated Lights-Out 2 (iLO 2)	To establish a browser-based connection from a remote client using the iLO 2 interface.

For more information, see "[Planning for installation](#)" on page 13.



IMPORTANT:

An IP address can be substituted for a storage server's serial number and hyphen when using either remote browser or remote desktop methods to access the HP Storage Server Management console. For example: 192.0.0.1 can be substituted for TWT08466-.

Using the Direct attach method

You can access the HP Storage Server Management console using a monitor, mouse, and keyboard directly attached to the storage server.

To connect the storage server to a network using the direct attach method

1. Log in to the HP ProLiant Storage Server with the default user name `administrator` and the password `hpinvent`.

The HP ProLiant Data Protection Storage Server Management console and Rapid Startup Wizard will start automatically.



NOTE:

You can change the administrator name and password when you configure the server using the "[Rapid Startup Wizard](#)" on page 38.

2. To complete network configuration using the Rapid Startup Wizard, see "[Configuring the server on the network](#)" on page 35.

Using the Remote browser method

The storage server ships with DHCP enabled on the network port. If the server is placed on a DHCP-enabled network and the serial number of the device is known, the server can be accessed through a client running Internet Explorer 5.5 (or later) on that network, using the TCP/IP 3202 port.



IMPORTANT:

Before you begin this procedure, ensure that you have the following:

- Windows-based PC loaded with Internet Explorer 5.5 (or later) on the same local network as the storage server
- DHCP-enabled network
- Serial number or IP address of the storage server

To connect the server to a network using the remote browser method, you must first ensure that the client is configured to download signed ActiveX controls.

To enable ActiveX controls

1. On the remote client machine, open the Internet Explorer web browser and select **Tools > Internet Options > Security**.

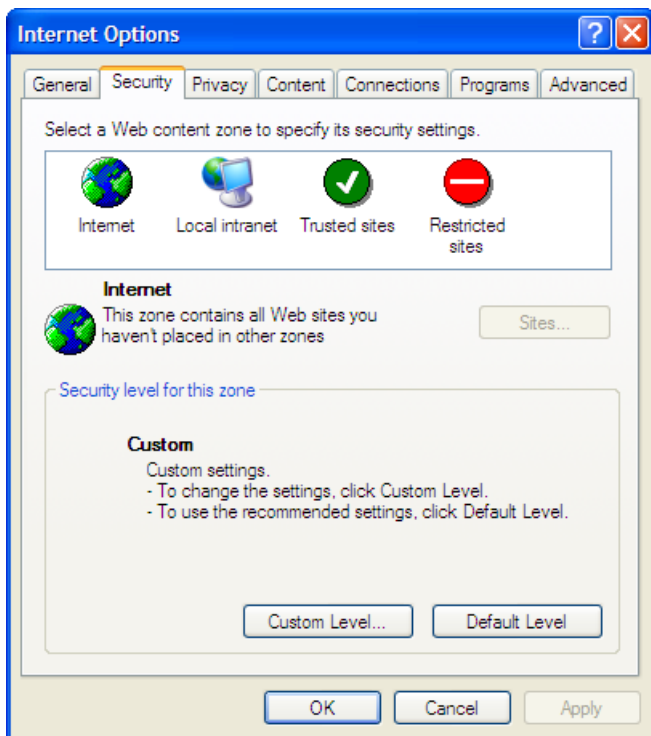
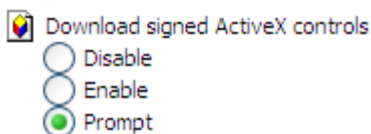


Figure 7 Internet options screen

2. On the Security screen, select **Internet** or **Local intranet** web content zone, then click **Custom Level**.
3. Scroll down to locate the **ActiveX Controls and plug-ins settings**.
4. At **Download signed ActiveX controls settings**, select **Enable** to enable ActiveX or **Prompt** to launch a notice requiring approval before ActiveX is enabled.



5. Click **OK** to close the **Security Settings** dialog box.
6. If prompted **Are you sure you want to change the security settings for this zone** click **YES**.

7. On the **Internet Options** dialog box, click **OK** to finish.

To connect the storage server to a network using the remote browser method

1. On the remote client machine open Internet Explorer and enter `https://` and the serial number of the storage server followed by a hyphen (-), and then:3202. For example, `https://D4059ABC3433-:3202` Press **Enter**.



NOTE:

If you are able to determine the IP address from your DHCP server, you can substitute the IP address for the serial number and hyphen (-). For example: 192.100.0.1:3202.

2. Click **OK** on the **Security Alert** prompt.
3. Log in to the HP ProLiant Storage Server Management console with the default user name `administrator` and the password `hpinvent`.



NOTE:

You can change the administrator name and password when you configure the server using the "[Rapid Startup Wizard](#)" on page 38.

4. To complete network configuration using the Rapid Startup Wizard, see "[Configuring the server on the network](#)" on page 35.



IMPORTANT:

If you are using the remote browser method to access the HP Storage Server Management console and Rapid Startup Wizard, always close the remote session before closing your Internet browser. Closing the Internet browser does not close the remote session. Failure to close your remote session impacts the limited number of remote sessions allowed on the storage server at any given time.

Using the Remote desktop method

To connect the storage server to a network using the remote desktop method

1. On the PC client, select **Start > Run**. At **Open**, type `mstsc`, then click **OK**.

2. Enter the serial number of the storage server followed by a hyphen (-) in the **Computer** box and click **Connect**. For example: D4059ABC3433-.

 **NOTE:**

If you are able to determine the IP address from your DHCP server, you can substitute the IP address for the serial number and hyphen (-). For example: 192.100.0.1.

3. Log in to the HP ProLiant Storage Server with the default user name `administrator` and the password `hpinvent`.

The HP ProLiant Data Protection Storage Server Management console and Rapid Startup Wizard will start automatically.

 **NOTE:**

You can change the administrator name and password when you configure the server using the "[Rapid Startup Wizard](#)" on page 38.

4. To complete network configuration using the Rapid Startup Wizard, see "[Configuring the server on the network](#)" on page 35.

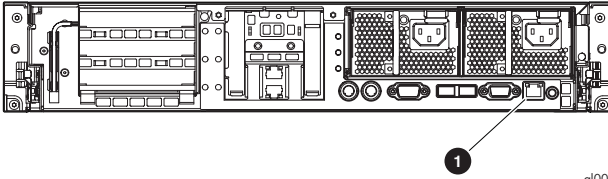
Using the Integrated Lights-Out 2 method

The HP iLO 2 management processor provides multiple ways to configure, update, operate, and manage servers remotely. The HP ProLiant Storage Server comes preconfigured with iLO 2 default factory settings, including a default user account and password. These settings can be found on the iLO 2 Default Network Settings tag found on the front of the server. If iLO 2 is connected to a network running DNS and DHCP, you can use it immediately without changing any settings.

For more information on using HP iLO 2, see the *HP Integrated Lights-Out 2 User Guide*.

To quickly setup iLO 2 using the default settings for iLO 2 Standard and iLO 2 Advanced features, follow the steps below.

1. Ensure that a network cable is connected to the iLO 2 port (1) located on the back of the storage server.



gl0085

Figure 8 iLO 2 connector port



NOTE:

This connection method is easiest when the connection is to a DHCP and DNS supported network.

2. If not using dynamic DHCP (IP addressing), you will need to input a static IP address by using the direct attach method and the iLO 2 RBSU.
3. Using the methods described in the *HP Integrated Lights-Out 2 User Guide*, connect to the iLO 2 port.



NOTE:

To find the default iLO 2 log in settings, see the iLO 2 Default Network Settings card attached to your server. The default DNS, administrator name, and password needed to log in will be on this card.

4. If desired, you can change the default user name and password on the administrator account to your predefined selections.
5. Set up your user accounts, if using the local accounts feature.
6. Activate iLO 2 advanced features by entering a license key from the included *ProLiant Essentials Integrated Lights-Out 2 Advanced Pack*.
7. Access the HP ProLiant Storage Server using the iLO 2 Remote Console functionality. Log in to the HP ProLiant Storage Server with the default user name `administrator` and the password `hpinvent`. The HP ProLiant Storage Server Management console starts automatically.



NOTE:

When the Remote Console feature is enabled, you can get access to the storage server's login screen.

For more information, see the *HP Integrated Lights-Out 2 User Guide* on the HP ProLiant DL380 G5 Storage Server Documentation CD.

4 Configuring the server on the network

Before you begin

When first powering on the storage server you need to have some configuration data readily available to complete the [Rapid Startup Wizard](#). Complete the [Server configuration worksheet](#) and use the data collected to initialize the storage server.



NOTE:

Ensure you are logged into the HP ProLiant Storage Server as a local or domain administrator.

Table 4 Server configuration worksheet

Configuration Worksheet	
Administrative Identity	
User name	Change system administrator's user name, which is set by default to administrator.
User password	Change system administrator's password, which is set by default to hpinvent.
Alert E-mail Notification	
E-mail address alert sent to	E-mail address for critical, warning, or informational messages about server status.
E-mail address alert sent from	Must be a valid, well-formed e-mail address that will appear as the sender of server status e-mail alerts.
SMTP server name or IP address	Must be an e-mail server on your network that supports the Simple Mail Transfer Protocol (SMTP).
SNMP Settings (to be completed only if needed)	

Configuration Worksheet	
Contact person	System administrator for the storage server. The contact and location will be provided to any SNMP management computer that requests them.
System location	Any text string, such as a location or phone number. For example, Floor #3, Financial Services Bldg.
Community name No. 1	The community name is used for network authentication when sending outgoing SNMP messages.
Trap destination No. 1	The IP address of a management computer that will receive SNMP messages from the storage server using the above community name.
Community name No. 2	Same as above.
Trap destination No. 2	Same as above.
Network Interfaces (to be completed for non-DHCP configurations)	
Local area connection 1	A local area connection is automatically created for each network adapter that is detected.
IP address	An Internet Protocol (IP) address is assigned to the server. If it is not automatically assigned, enter the IP address that you want to assign to this server.
Subnet mask	A mask is used to determine what subnet an IP address belongs to.
Default gateway	The gateway in a network that the network adapter will use to access all other networks.
Local area connection 2	Any additional local area connections can be renamed to prevent confusion.
IP address	Same as above.
Subnet mask	Same as above.
Default gateway	Same as above.
iLO 2 settings	Change the host name, IP settings, and administrator settings.

Configuration Worksheet	
DNS server	A Domain Name System (DNS) server name is required to provide for domain name to IP address resolution.
WINS server	A Windows Internet Naming Service (WINS) server name is required to determine the IP address associated with a particular network computer.
Server Name	
Server name	Assign a unique name to the storage server. This name identifies the storage server on the network.

Running the Rapid Startup Wizard

The Rapid Startup Wizard is only displayed during the initial setup process. This wizard guides you through the configuration process.

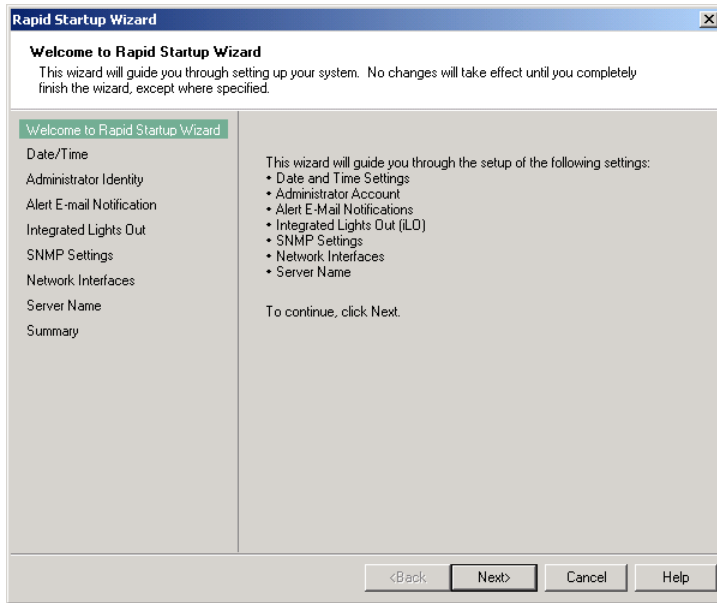


Figure 9 Rapid Startup Wizard

The Rapid Startup Wizard guides you through configuring the following system settings:

- Date, time, and time zone
- Administrator Identity (user name and password)
- Alert e-mail notification
- Integrated Lights-Out 2 (iLO 2) settings
- Simple Network Management Protocol (SNMP) Settings
- Network Interfaces
- Server Name

For more information about the configuration settings available in the Rapid Startup Wizard, click **Help** to see the corresponding Rapid Startup Wizard online help topic.

5 Complete system configuration

Additional configuration tasks

The physical installation and basic configuration for the HP ProLiant storage server is complete. Additional settings and configuration tasks specific to the storage server role can be found in the *HP ProLiant DL380 G5 Storage Server administration guide* on the HP ProLiant Storage Server Documentation CD.

The HP ProLiant Storage Server administration guide includes:

- Configuring and managing the file server role
- Configuring and managing the print server role
- Other network file and print services
- Microsoft Cluster Service (applicable models only)
- NIC teaming



IMPORTANT:

HP recommends performing a full system backup before putting the system into production.



NOTE:

For DL380 G5 storage servers, see the *SAN Connection and Management* white paper located on the Documentation CD for installation and configuration steps related to SAN Connectivity.

Other configuration tasks not found in the *HP ProLiant DL380 G5 administration guide* that should be performed include:

- Run Microsoft Update for new critical updates, see "[Configuring storage server for Web access \(optional\)](#)" on page 41.
- Join the storage server to an Active Directory domain or workgroup.
- Create and manage users and groups.
- Adjust logging for system, application and security events.

- Install additional third-party software, such as backup, anti-virus, or monitoring agents.

A Configuring storage server for Web access (optional)

Setting up an Internet connection

Before running Windows 2003 R2 operating system updates, you must set up an Internet connection for the storage server. There are two methods for configuring an Internet connection:

- Internet Explorer to use automatic configuration
- Internet Explorer to use a proxy server

To configure Internet Explorer to use automatic configuration

1. On the **Tools** menu in Internet Explorer, click **Internet Options**, click the **Connections** tab, and then click **LAN Settings**.
2. Under **Automatic Configuration**, click either the **Automatically detect settings** or **Use automatic configuration script** check box.

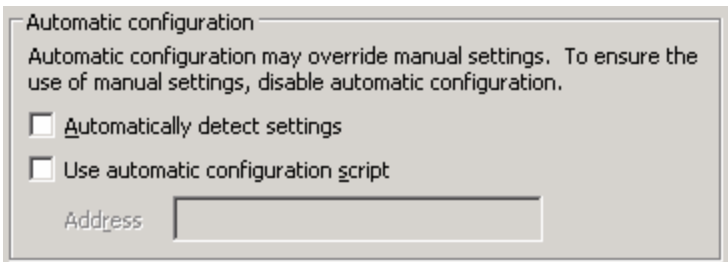


Figure 10 Automatic configuration settings

3. Click **OK** to close the **LAN Settings** dialog box.
4. Click **OK** again to close the **Internet Options** dialog box.

To configure Internet Explorer to use a proxy server

1. On the **Tools** menu in Internet Explorer, click **Internet Options**, click the **Connections** tab, and then click **LAN Settings**.

2. Under **Proxy server**, click the **Use a proxy server for your LAN** check box.

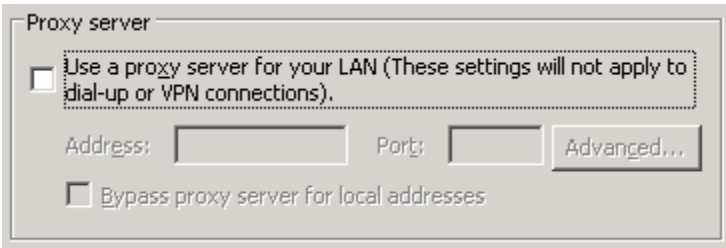


Figure 11 Proxy server settings

3. In the **Address** box, type the network name or IP address of the proxy server.
4. In the **Port** box, type the port number that is used by the proxy server for client connections (for example, 8080).
5. Click the **Bypass proxy server for local addresses** check box if you do not want the proxy server computer to be used when you connect to a computer on the local network.
6. Click **OK** to close the **LAN Settings** dialog box.
7. Click **OK** again to close the **Internet Options** dialog box.

Index

A

- accessing
 - HP Storage Server Management console, 27
- ActiveX
 - enabling, 28
- audience, 7
- authorized reseller
 - HP, 11

C

- cable
 - installation, 24
- configuration
 - completing system configuration, 39
 - Internet, 41
 - network, 16
 - server, 35
 - worksheet, 35
- conventions
 - document, 9
 - text symbols, 9

D

- default login, 28
- DHCP, 35
- document
 - conventions, 9
 - related documentation, 7

H

- hardware support services, 11
- help, obtaining, 7

- host configuration protocols, DHCP and non-DHCP, 35
- HP
 - authorized reseller, 11
 - hardware support services, 11
 - storage web site, 11
 - Subscriber's choice web site, 10
 - technical support, 10
- HP Storage Server Management console
 - iLO 2 method, 31
 - direct attach method, 27
 - remote browser method, 31
 - remote desktop method, 31
 - remote server access, 27

I

- iLO 2 method
 - connecting to network, 32
- installation
 - planning, 13
 - rail kit, 23
 - server, 19
- Internet
 - automatic configuration, 41
 - proxy server, 41
 - set up, 41
- ISSE
 - See hardware support services

K

- kit contents, 20

P

planning

- configuration checklist, 16
- installation, 13
- network access method, 13
- network configuration, 16

power on

- server, 25

R

Rapid Setup Wizard, 38

related documentation, 7

remote browser method

- connecting to network, 30

remote desktop method

- connecting to network, 30

S

serial number, 23

server

- cabling, 24
- front and back panels, 20
- installation, 19
- power on, 25

set up

- Internet, 41

setting up

- overview, 13

startup

- collecting information, 35

Subscriber's choice

- HP, 10

symbols in text, 9

T

technical support

- HP, 10

text symbols, 9

W

web sites

- HP documentation, 11

- HP storage, 11

- HP Subscriber's choice, 10